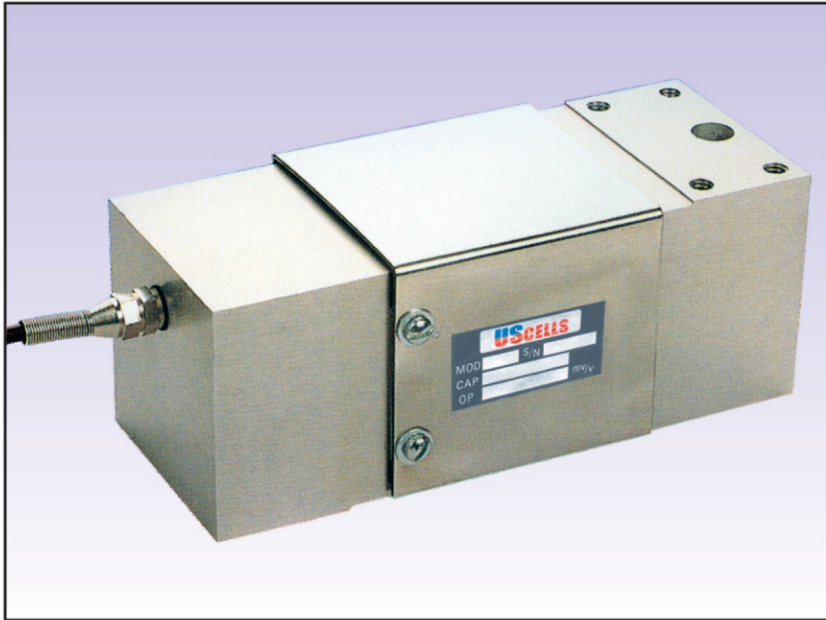
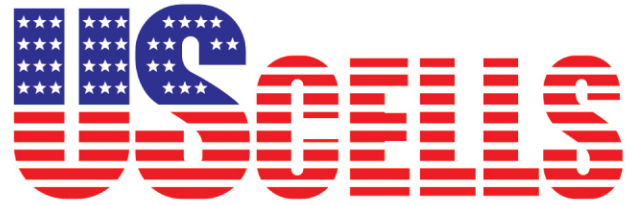


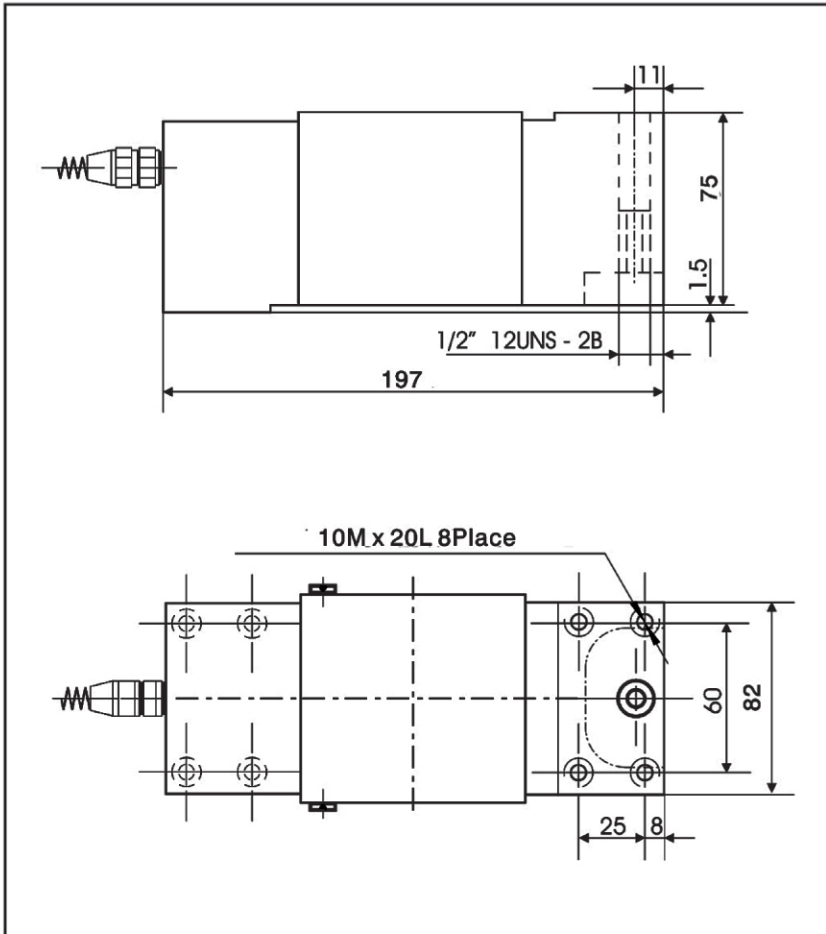
MSB

SERIES

Aluminium
Single - Point Load Cells



Dimension:



Load Cell Specification:

Model	MSB
Capacity	300, 635, 1000kg
Sensitivity MV/V	2 ± 0.01
Zero Balance	< 2% of Full Scale
Creep (1 hour)	< 0.03% of Full Scale
Non-linearity	< 0.02% of Full Scale
Hysteresis	< 0.02% of Full Scale
Repeatability	< 0.02% of Full Scale
Temperature effect on Output	< 20PPM / °C of Applied Load
Temperature effect on zero	< 20PPM / °C of Applied Load
Operating temperature range	- 20 °C to 60 °C
Compensated temperature range	- 10 °C to 50 °C
Safe Overload	1.5 x Capacity
Input Impedance	400 ± 10 Ohms
Output Impedance	350 ± 3 Ohms
Insulation Resistant	> 2,000 Meg - Ohms
Recommended Excitation	10 V DC/AC
Maximum Excitation	15 V DC/AC
Cable Length	6 m
Environmental Protection	IP 67

Cable Color Code

Red	+ Excitation
Black	- Excitation
Green	+ Signal
White	- Signal