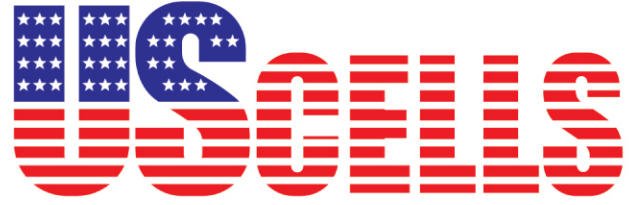
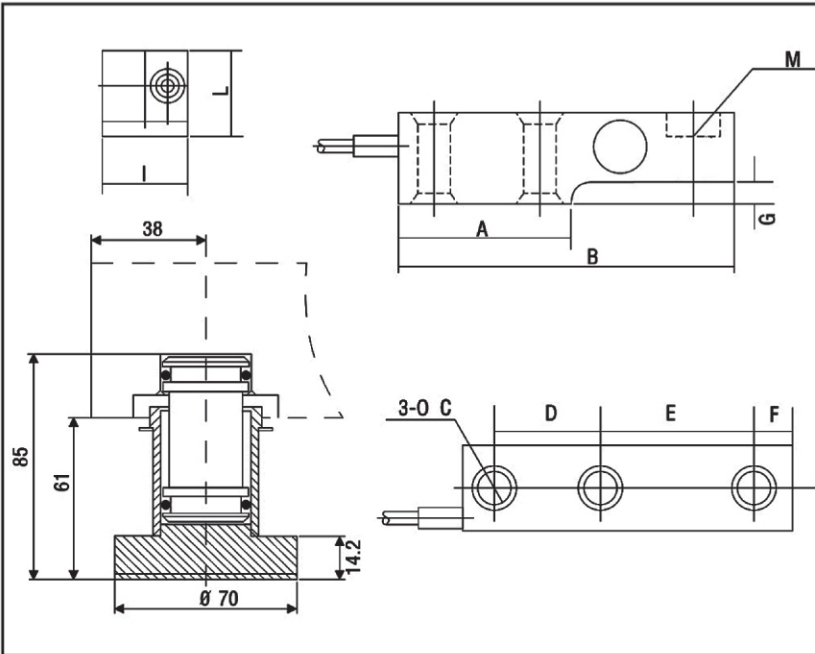


MXL SERIES

Tool Steel
Cantilever Beam Load Cells



Dimension:



| Rated Load | Size: mm | | | | | | | | | |
|------------|----------|-----|----|----|-----|----|------|----|------|---------|
| Rated | A | B | C | D | E | F | G | I | L | M |
| 20t | 153 | 318 | 34 | 89 | 159 | 38 | 12.5 | 70 | 82.5 | M18X1.5 |

Load Cell Specification:

| | |
|-------------------------------|------------------------------|
| Model | MXL |
| Capacity | 20t |
| Sensitivity MV/V | 2 ± 0.01 |
| Zero Balance | < 2% of Full Scale |
| Creep (1 hour) | < 0.03% of Full Scale |
| Non-linearity | < 0.03% of Full Scale |
| Hysteresis | < 0.03% of Full Scale |
| Repeatability | < 0.02% of Full Scale |
| Temperature effect on Output | < 20PPM / °C of Applied Load |
| Temperature effect on zero | < 20PPM / °C of Applied Load |
| Operating temperature range | - 20 °C to 60 °C |
| Compensated temperature range | - 10 °C to 50 °C |
| Safe Overload | 1.5 x Capacity |
| Input Impedance | 400 ± 10 Ohms |
| Output Impedance | 350 ± 5 Ohms |
| Insulation Resistant | > 2,000 Meg - Ohms |
| Recommended Excitation | 10 V DC/AC |
| Maximum Excitation | 15 V DC/AC |
| Cable Length | 20 m |
| Environmental Protection | IP 67 |

Cable Color Code

| | |
|-------|--------------|
| Red | + Excitation |
| Black | - Excitation |
| Green | + Signal |
| White | - Signal |