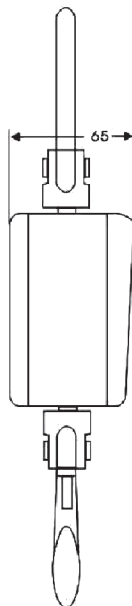
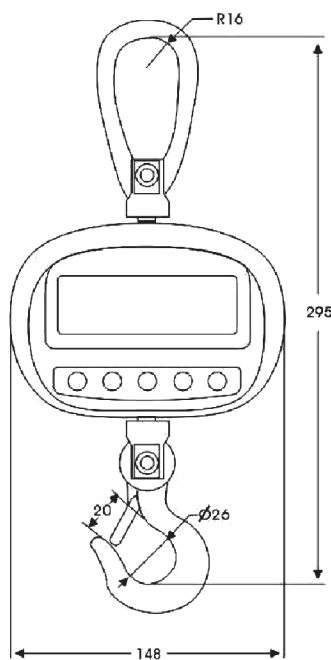




U-100 series Hanging Scale

Features:

- Attractive designing with light engineering plastic housing
- Convenient 360 swivel shackle & hook
- Built-in Ni-H battery
- Auto-backlight function to save power consumption selectable
- Division value & weight unit
- Infrared control for your selection



Specifications:

Model	U-100	
Capacity (kg)	150	300
Division	0.05	0.1
Selectable Division	0.02	0.05
Precision	3000	3000

