



GR series

Analytical/Semi-Micro Balances

High Performance up to 0.01mg Semi-Micro Weighing
Automatic Self-Calibration and Ergonomic Design



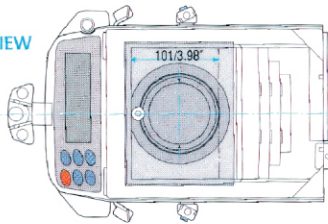
GR-202 | 210g x 0.1mg
 | 42g x 0.01mg
GR-300 | 310g x 0.1mg
GR-200 | 210g x 0.1mg
GR-120 | 120g x 0.1mg

Easy Access Door System

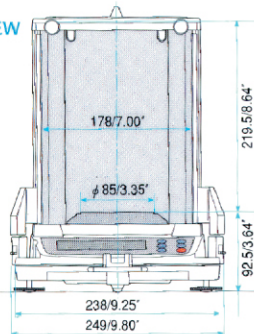
A unique door opening system allows an operator to conveniently open or close the left or right weighing chamber through a front door control lever.

This allows quick, efficient access to the weighing chamber door without leaning, bending or stooping.

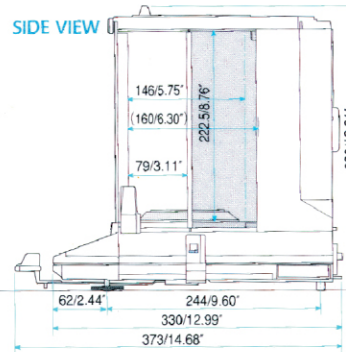
TOP VIEW



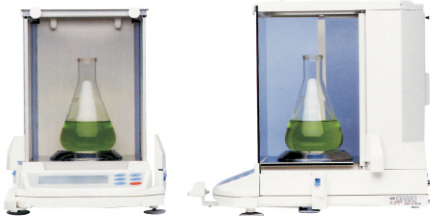
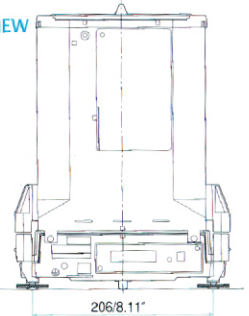
FRONT VIEW



SIDE VIEW



REAR VIEW



Specifications

Feature:

- 13 Multiple Weighing Units
- Two Layer Housing Construction
- Splash Proof Keyboard and Display
- Data Memory Function
- Automatic Adjustable Environment Setting
- GLP Compliance
- Automatic Self Calibration
- One Touch Calibration
- Quick Reference Card
- Standard Underhook
- Standrad RS-232C
- WinCT-Windows Communication Tools

Accessories

- AD-1653 : Density Determination Kit
- AD-8121B : Multi-Function Printer
- AD-8118B : Universal Printer
- AD-8524B : Keyboard Adaptor
(for IBM Compatible PC)

Capacity/Resolution		GR-202	GR-300	GR-200	GR-120
Gram	(g)	210 x 0.0001 / 42 x 0.00001	310 x 0.0001	210 x 0.0001	120 x 0.0001
	(mg)	210000 x 0.1 / 42000 x 0.01	310000 x 0.1	210000 x 0.1	120000 x 0.1
Decimal Ounce	(oz)	7.4 x 0.00001 / 1.4 x 0.000001	10 x 0.00001	7.4 x 0.00001	4.2 x 0.00001
Troy Ounce	(ozt)	6.7 x 0.00001 / 1.3 x 0.000001	9.9 x 0.00001	6.7 x 0.00001	3.8 x 0.00001
Pennyweight	(dwt)	135 x 0.0001 / 27 x 0.00001	199 x 0.0001	135 x 0.0001	77 x 0.0001
Carat	(ct)	1050 x 0.001 / 210 x 0.0001	1550 x 0.001	1050 x 0.001	600 x 0.001
Momme	(mom)	56 x 0.0001 / 11 x 0.00001	82 x 0.0001	56 x 0.0001	32 x 0.0001
Grain Unit	(GN)	3240 x 0.002 x 648 x 0.0002	4784 x 0.002	3240 x 0.002	1851 x 0.002
Tola	(t)	18 x 0.00001 / 3.6 x 0.000001	26 x 0.00001	18 x 0.00001	10 x 0.00001
Tael	(TL)	5.5 x 0.00001 / 1.1 x 0.000001	8.2 x 0.00001	5.5 x 0.00001	3.1 x 0.00001
Percentage Min Div.		0.01%			
Counting Min Weight		0.1mg			
Linearity		±0.0002 / ±0.00003 g	±0.0003 g		±0.0002 g
Repeatability/Std. Dev.		0.0001 / 0.00002 g	0.0002 g		0.0001 g
Stabilization Time		3.5/8 seconds (typically)		3.5 seconds (typically)	
Sensitivity Drift		±2ppm/°C(10°C ~ 30°C / 50°F ~ 86°F)			
Display Refresh		5 times per second / 10 times per second			
Pan Size		Ø85mm/3.3inches			
Physical Dimensions	mm	249(W) x 330(D) x 32(H)			
	inches	9.8(W) x 12.99(D) x 12.91 (H)			
Breeze Break Dimensions	mm	178(W) x 160(D) x 233(H)			
	inches	7.01(W) x 6.5(D) x 9.17(H)			
Admissible Ambient Conditions		5°C ~ 40°C / 41°F ~ 104°F R.H. <85%			
Weight Approximately		6.0kg / 13.2lb			
Power		100, 120, 220, 240VAC (AC Adaptor) 50Hz/60Hz, 11VA			
Standard Accessories		WinCT in CDROM, Manual, AC Adaptor, Reference Card			

Specifications are subject to change for improvement without notice